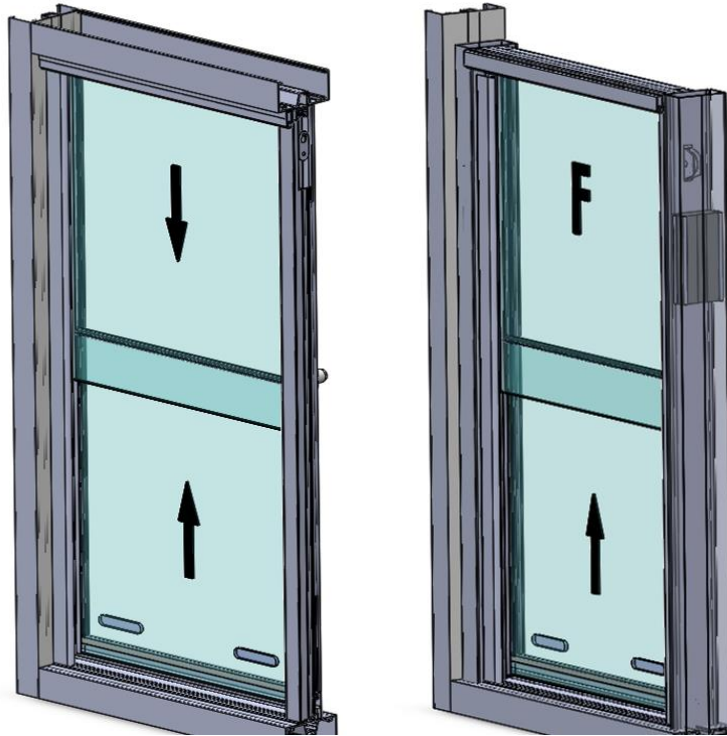

Sashless Windows available Types

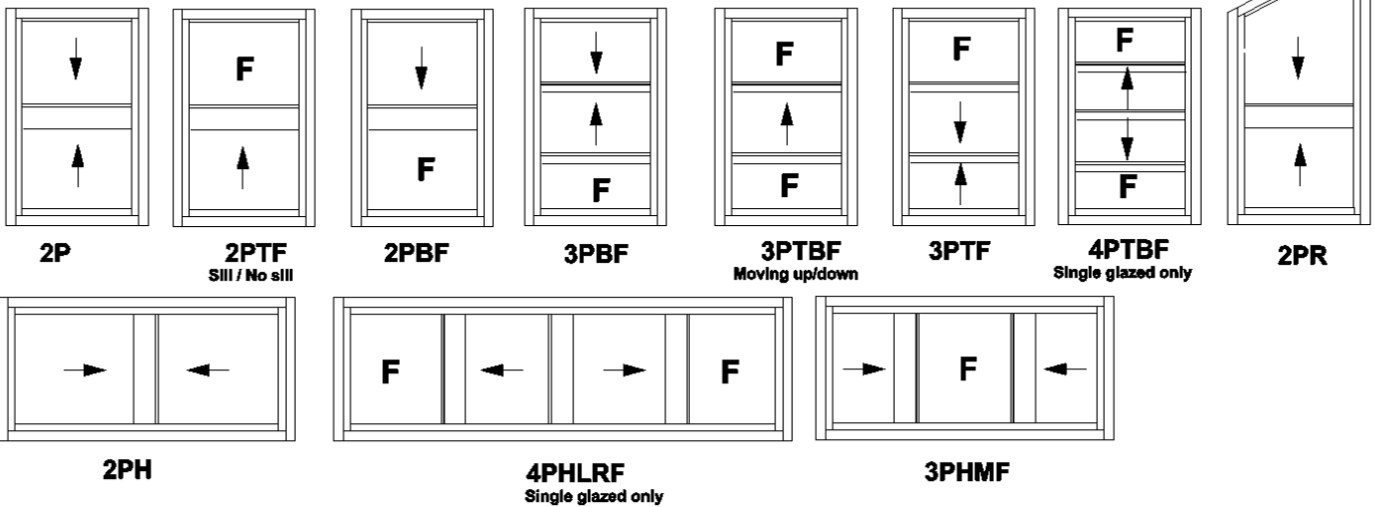
Sashless Double Hung

Servery Double Hung (counter balance)



Same internal frame, 80mm Wider for the 2 counter weights

Sashless Windows Standard configurations



Product Name: **Pearl**

Product type: Sashless Double hung Vertical single Glazed



Pearl	Counter Balance		Servery	
	6mm	10mm	6mm	10mm
Glass	6mm	10mm	6mm	10mm
Min Height Daylight	800	800	800	800
Max height	3000	3000	3000	3000
Max height 3 pnl	3600	3600	3600	3600
Min Daylight Width	350	350	430	430
Max Daylight Width	1270	1500	1350	1580
Max wind load ULS Pa	2300	4000	1500	1500
Max Water WPR Pa	200	450	200	200
Residential classification	N4 - C2	N5-C2	N4 - C2	N4 - C2
max sash weight kg	30	45	45	45

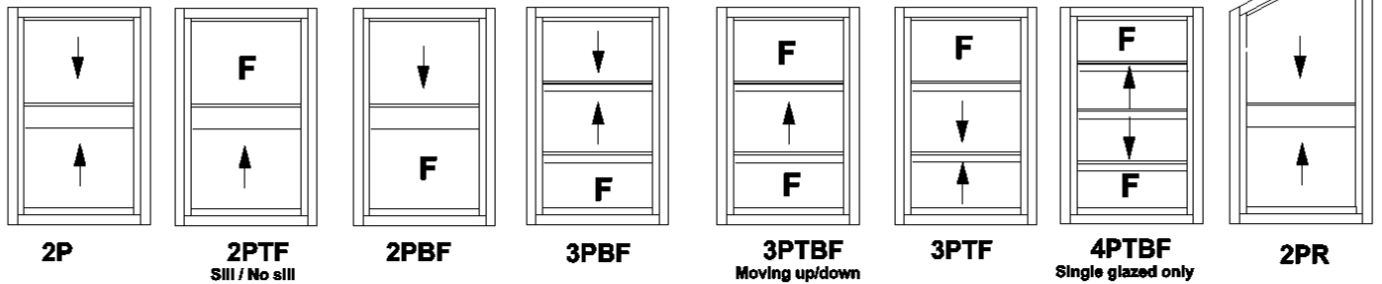
Suitability As per Australian glass and window standards AS 2047 2014

Note for Counter or (no sill) Servery

This style of window is suitable for non-weatherproof openings there is no water rating for flat Servery sills.

Configurations available

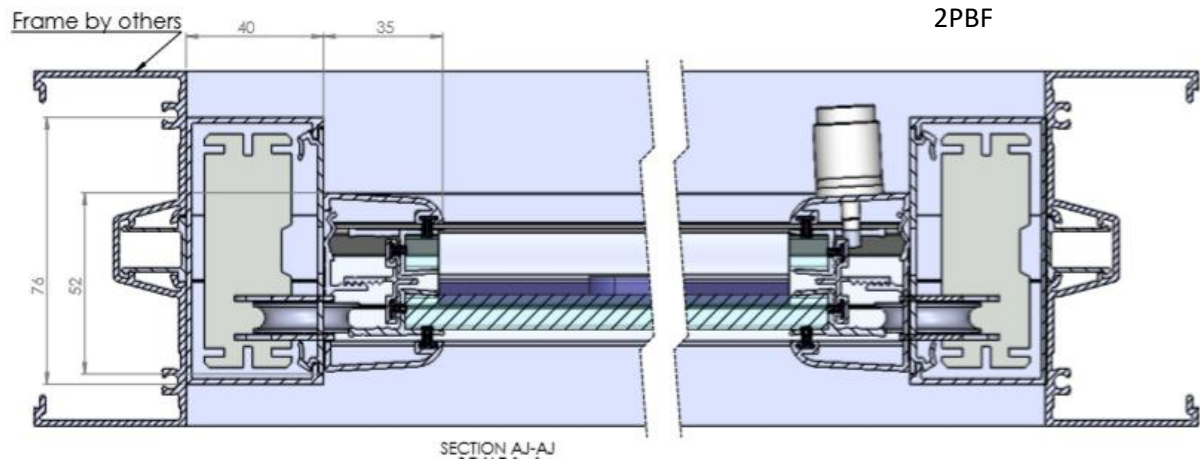
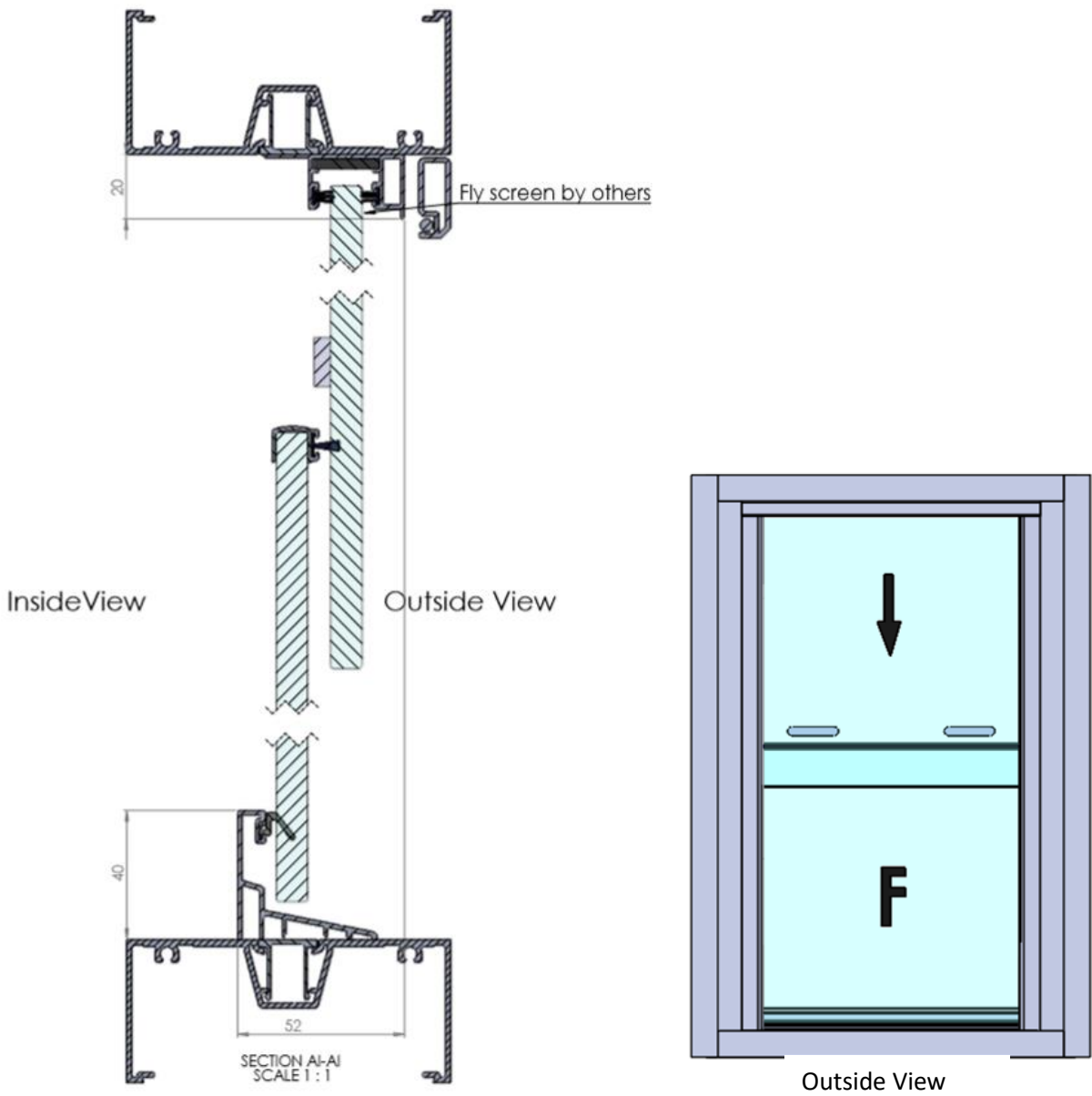
Sashless Windows Standard configurations



Pearl	Vertical Double hung	CB	6mm glass	2p	Pearl 6mm Assembly 2P	
		CB		3PBF	Pearl 6mm Assembly 3PBF	
		CB		3PTF	Pearl 6mm Assembly 3PTF	
		CB		4PTBF	Pearl 6mm Assembly 4PTBF	
		servery		2PBF	Pearl 6mm Servery Assembly 2PBF.SLDASM	
		servery		2PTF	Pearl 6mm Servery Assembly 2PTF.SLDASM	
		servery		3PTBF	Pear 6mm Servery Assembly 3PTBF	
			CB	10mm glass	2p	Pearl 10mm Assembly 2P.SLDASM
			CB		3PBF	Pear 10mm Assembly 3PBF
			CB		3PTF	Pear 10mm Assembly 3PTF
			CB		4PTBF	Not available in the range
			servery		2PBF	Pearl10mm Servery Assembly 2PBF
			servery		2PTF	Pearl 10mm Servery 2PTF
			servery		3PTBF	Pear 10mm Servery Assembly 3PTBF

Pearl Timber	Vertical Double hung	CB	6mm glass	T2P	Pearl Timber 6mm Assembly 2P
		CB	10mm glass	T2P	Pearl Timber 10mm Assembly 2P

Install Layouts Pearl 10mm Servery Code: 2PBF



Outside View

2PBF

SECTION AJ-AJ

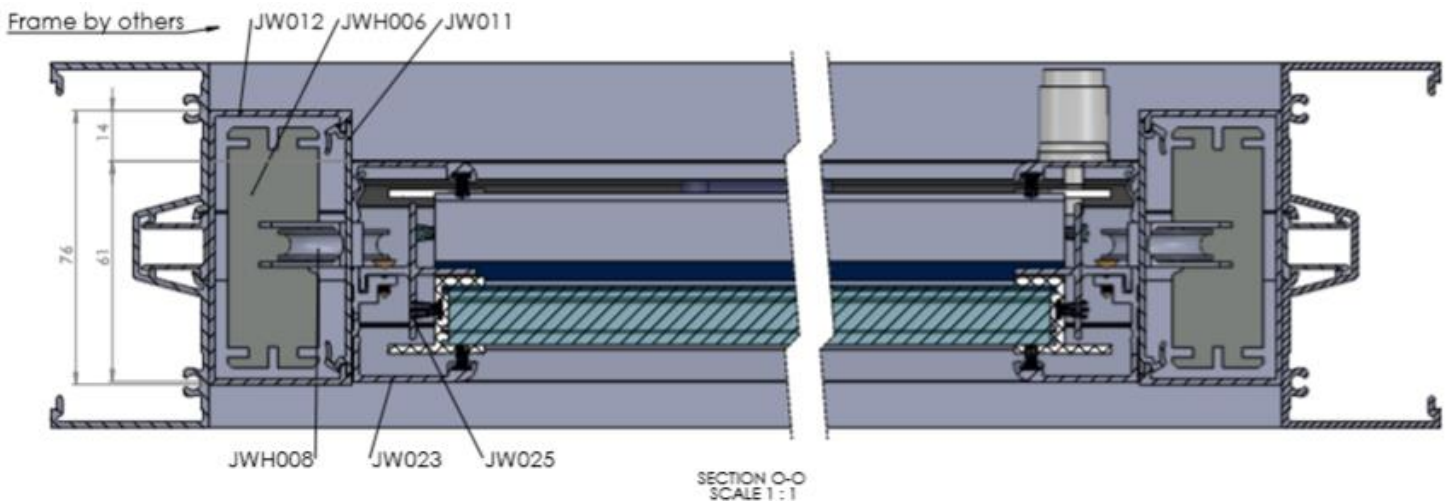
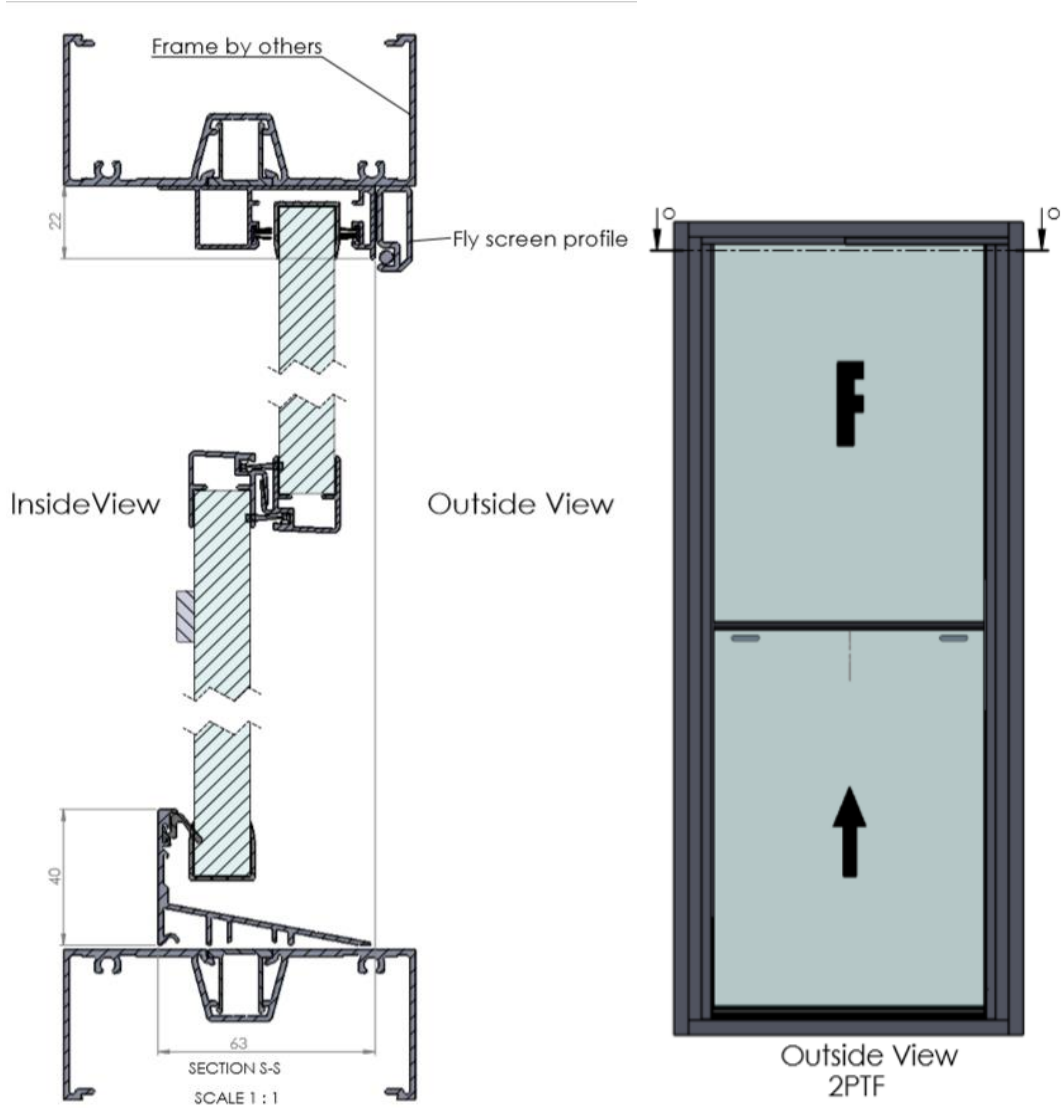
Product Name: Pearl

Product type: Sashless Double hung Vertical Double glazed



Pearl	Counter Balance	Servery	Glass Combinations
	Glass	16mm	16mm
Min Height Daylight	800	800	5 /6A/ 5
Max height	3000	3000	4 /6A/ 6
Max height 3 pnl	3600	3600	
Min Daylight Width	350	350	
Max Daylight Width	1500	1580	
Max wind load ULS Pa	1500	1500	
Max Water WPR Pa	150	150	
Residential classification	N3	N3	
max sash weight kg	45	45	

Install Layouts Pearl 16mm Servery Code 2PTF



Quartz Install Layouts 10mm Code 2PH

